

# INSTRUCTIONS FOR INSTALLING A SNACK TRAY PRODUCT ADAPTOR INSTALLATION KIT IN ANY NATIONAL VENDORS® 140 - SHOWCASE MERCHANDISER

These instructions cover the procedures for installing a Snack Tray Product Adaptor Installation Kit in any 140 - Showcase Merchandiser.

The installation of a Snack Tray Product Adaptor Installation Kit on a Snack Tray of any 140 - Showcase Merchandiser will allow the proper vending of some pastry type items.

Read these instructions carefully and thoroughly before installing the Kit. Retain these instructions for part number and installation information. Kit, Part Number 140-7055, contains the following parts:

Part Number	Description	Quantity
140-7056	Product Adaptor Channel Gauge	1
140-7054	No.8-32 x 1/4 THS - Black Screw	4
140-7058	Product Adaptor Assembly	1
9900-081	No.8-32 Nut W/Lockwasher	4
140-7057	Installation Instructions	1
	* * *	

## TO INSTALL THE KIT

### A. PARTS REMOVAL

1. Unlock and open the Merchandiser Cabinet Door.

#### CAUTION

Do not pull on the Item Number/Price Tag Holders when removing a Tray.

#### WARNING

1. The top Tray pulls out and then pivots down.
2. Do not have more than two Trays pulled out at one time.

#### NOTE

*The Product Adaptor Assembly should only be installed on Snack Trays which are to vend pastry type items.*

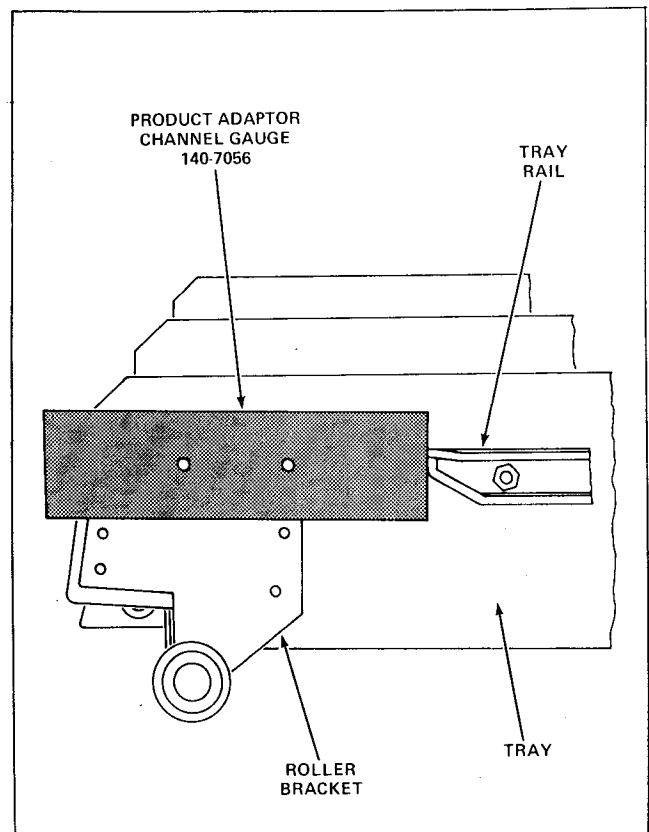
2. Pull out and remove the Tray, on which the Product Adaptor Assembly is to be installed, from the Merchandiser.
3. Remove all merchandise and the Spirals from each Side Column of the Tray.

### B. INSTALLATION OF THE KIT

1. Align the Product Adaptor Channel Gauge, Part Number 140-7056, included in the Kit, with the top edge of the Roller Bracket and the front edge of the Tray Rail. See Figure 1.

#### NOTE

*If there are holes already at this location on the Side Column Dividers, go to step 5.*



**FIGURE 1**

2. Drill two 11/64" holes through the holes in the Product Adaptor Channel Gauge and through the Side Column Divider.
3. Repeat Step 2 for the Column Divider on the other Side of the Tray.
4. Remove the Product Adaptor Channel Gauge. It is to be used only as a drilling guide and should not be installed as a part of the Kit.

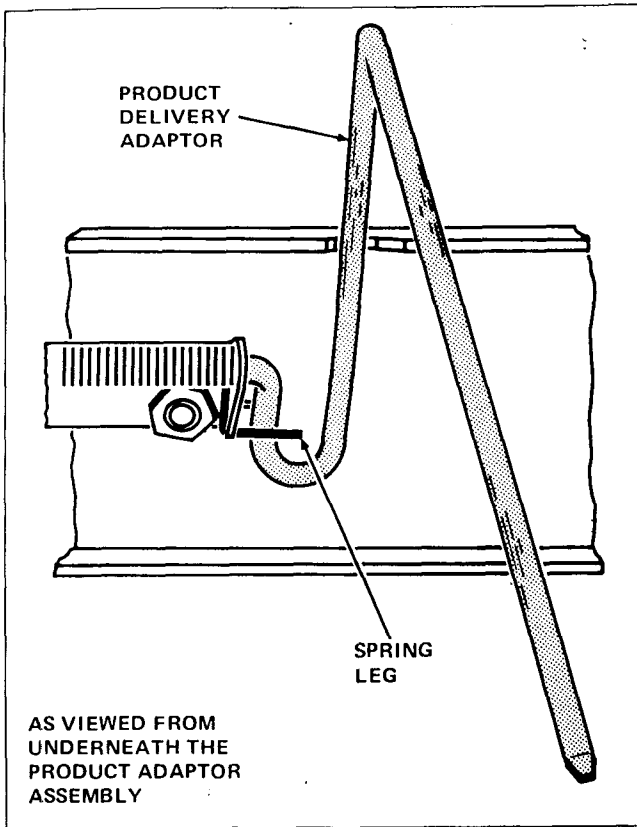


FIGURE 3

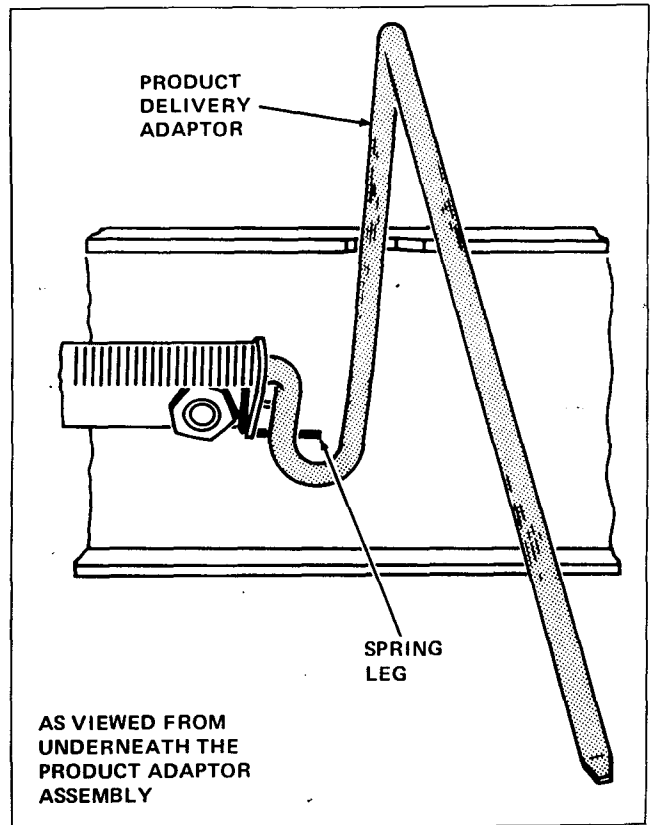


FIGURE 4

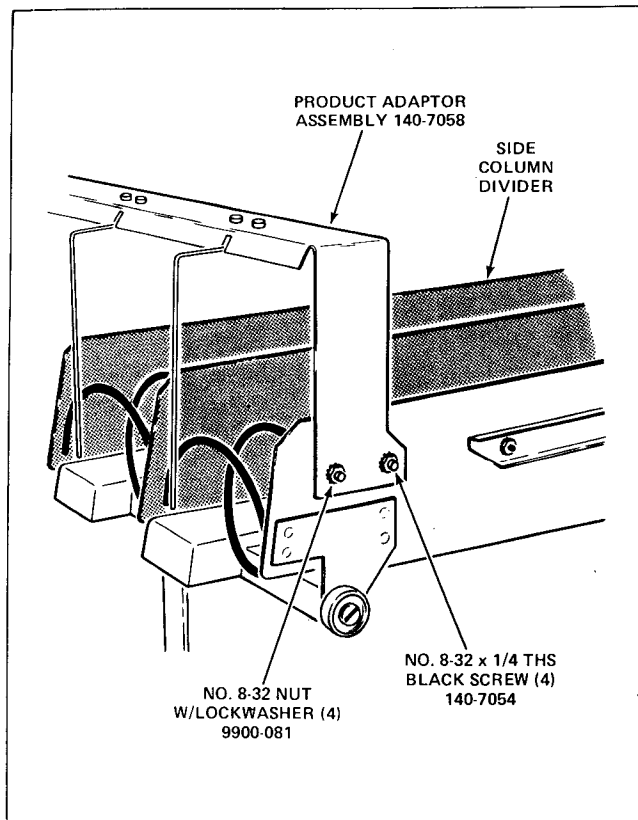


FIGURE 2

5. Insert two No.8-32 x 1/4 Truss Head Black Screws, Part Number 140-7054, included in the Kit, into the holes in the Side Column Divider with the heads of the Screws on the inside of the Side Column Divider. See Figure 2.
6. Install the Product Adaptor Assembly, Part Number 140-7058, included in the Kit, over the Black Screws inserted in Step 5. See Figure 2.
7. Attach the Product Adaptor Assembly to the Side Column Divider and the two Black Screws with two No.8-32 Nuts with Lockwashers, Part Number 9900-081, included in the Kit. See Figure 2.
8. Repeat Steps 5,6 and 7 for the Column Divider on the other Side of the Tray.
9. Install the Spirals in the Side Columns of the Tray.
10. Load the pastry type merchandise in the Spirals.
11. Return the Tray to the Merchandiser.
12. Close and lock the Merchandiser Cabinet Door.
13. Test vend the Merchandiser.

## C. CHECK AND ADJUSTMENTS

The following adjustment procedure is recommended to allow snack type bagged items to be vended from specific Columns while still retaining the capability of vending pastry type items from other Columns in the same Tray.

1. Unlock and open the Merchandiser Cabinet Door.

### CAUTION

Do not pull on the Item Number/Price Tag Holders when removing a Tray.

### WARNING

1. The top Tray pulls out and then pivots down.
2. Do not have more than two Trays pulled out at one time.

2. Select the Column to vend snack type bagged items.
3. Pull out the Snack Tray (modified to vend pastry type items).
4. Remove all merchandise from the Column selected in Step 3.
5. Locate the Spring Leg, which applies tension to the Product Delivery Adaptor, of the Column to be adjusted. See Figure 3.
6. Move the Spring Leg behind the Product Delivery Adaptor so there is no tension upon the Product Delivery Adaptor. See Figure 4.
7. Load the Column with snack type bagged items.
8. Return the Tray to the Merchandiser.
9. Close and lock the Merchandiser Cabinet Door.
10. Test vend the Merchandiser.

### NOTE

*If pastry type items are to be vended from a pastry Column adjusted to vend snack type bagged items, the Spring Leg must be returned to the position in Figure 3, so that tension is applied to the Product Delivery Adaptor.*